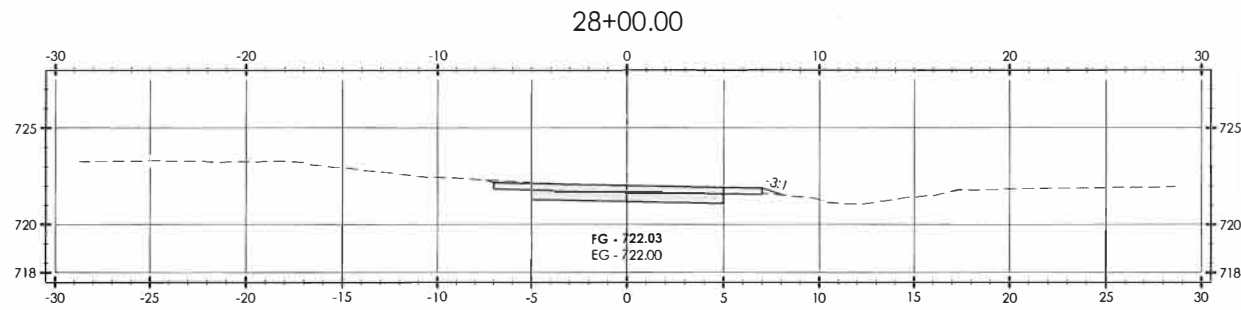
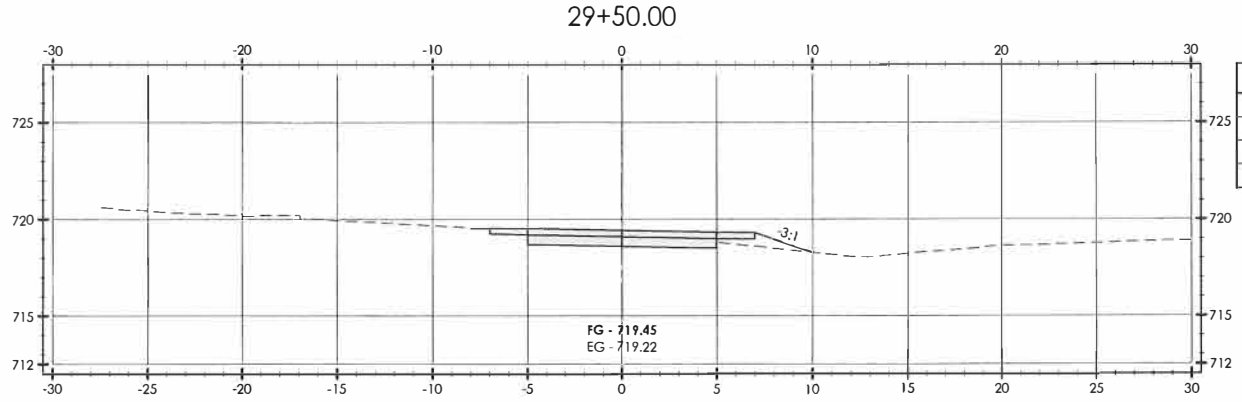


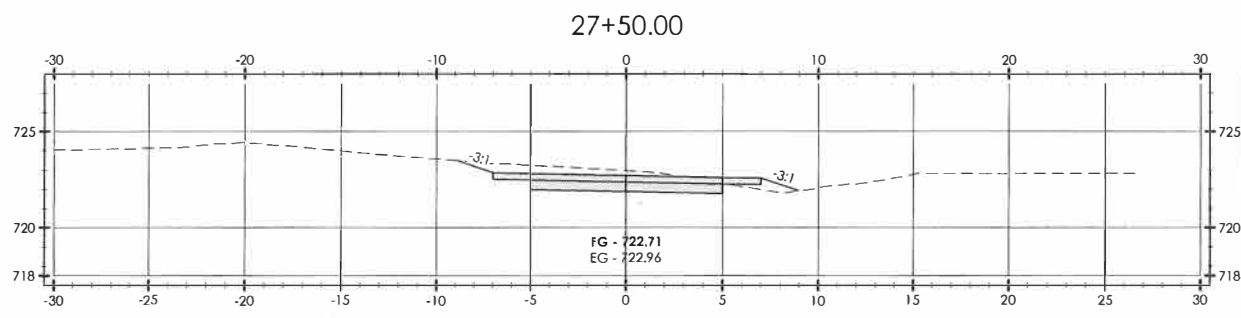
OKLAHOMA DEPARTMENT OF TRANSPORTATION					
FED. ROAD DIST. NO.	STATE	PROJ. NO.	FISCAL YEAR	SHEET NO.	TOTAL SHEETS
6	OKLA	2884(04)			
DESCRIPTION			REVISIONS	DATE	



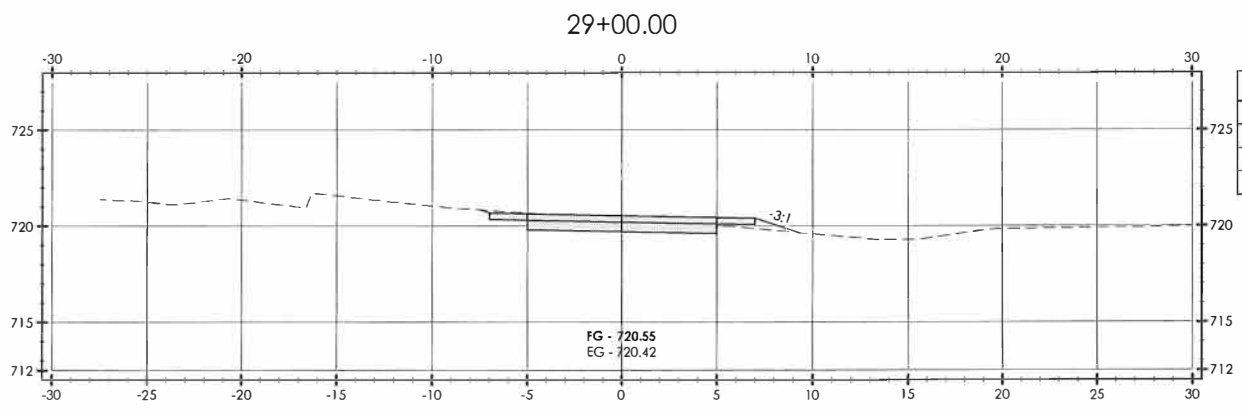
Trail Station 28+00.00	
Cut Area	9.62 SF
Cut Vol	20.65 CY
Fill Area	0.21 SF
Fill Vol	1.18 CY



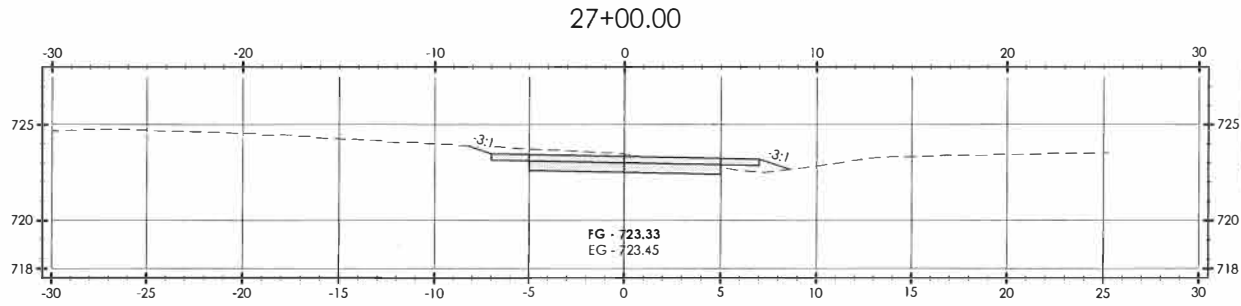
Trail Station 29+50.00	
Cut Area	6.44 SF
Cut Vol	13.48 CY
Fill Area	1.54 SF
Fill Vol	2.28 CY



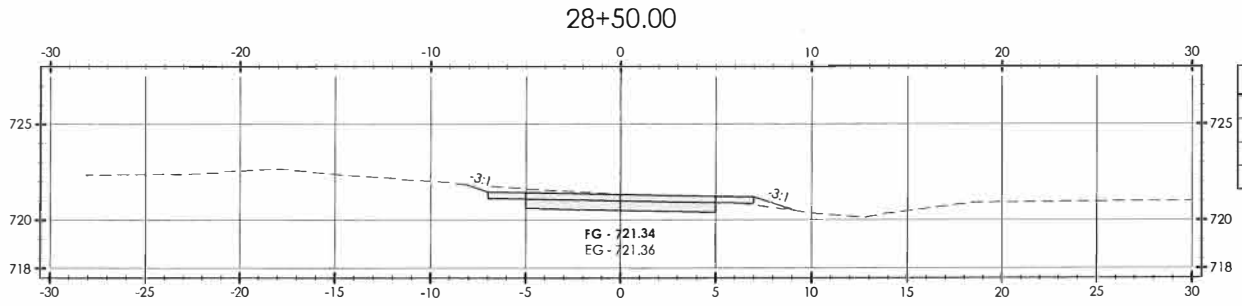
Trail Station 27+50.00	
Cut Area	12.69 SF
Cut Vol	21.30 CY
Fill Area	1.06 SF
Fill Vol	1.93 CY



Trail Station 29+00.00	
Cut Area	8.13 SF
Cut Vol	17.15 CY
Fill Area	0.92 SF
Fill Vol	1.43 CY



Trail Station 27+00.00	
Cut Area	10.34 SF
Cut Vol	17.71 CY
Fill Area	1.02 SF
Fill Vol	1.28 CY



Trail Station 28+50.00	
Cut Area	10.41 SF
Cut Vol	18.54 CY
Fill Area	0.62 SF
Fill Vol	0.78 CY

F:\582 Sand Springs Park Road Trail\Final\Civil 3D - Base Files\ParkRoadTrail-BASE1-Final.Rt.dwg, 6/12/2017 4:01:12 PM



Design	JM	7/16
Drawn	JM/BB	8/16
Checked	KF/JM	6/17
Approved		
Squad	LandPlan	

City of Sand Springs - Park Road Trail
 PREPARED BY: LANDPLAN CONSULTANTS
 1110 N.W. 23rd Street, Tulsa, OK 74104
 Tulsa County
CROSS SECTIONS SHEET (10)
 STATE JOB NO. 28844(04) Sheet No. 53 of 63